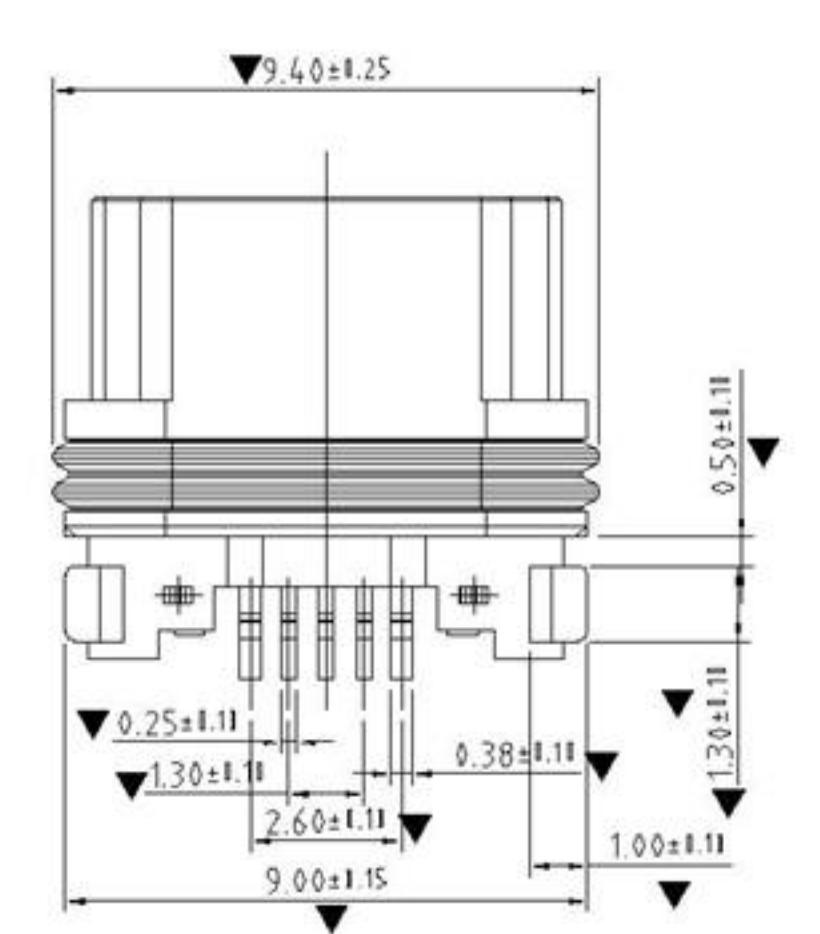
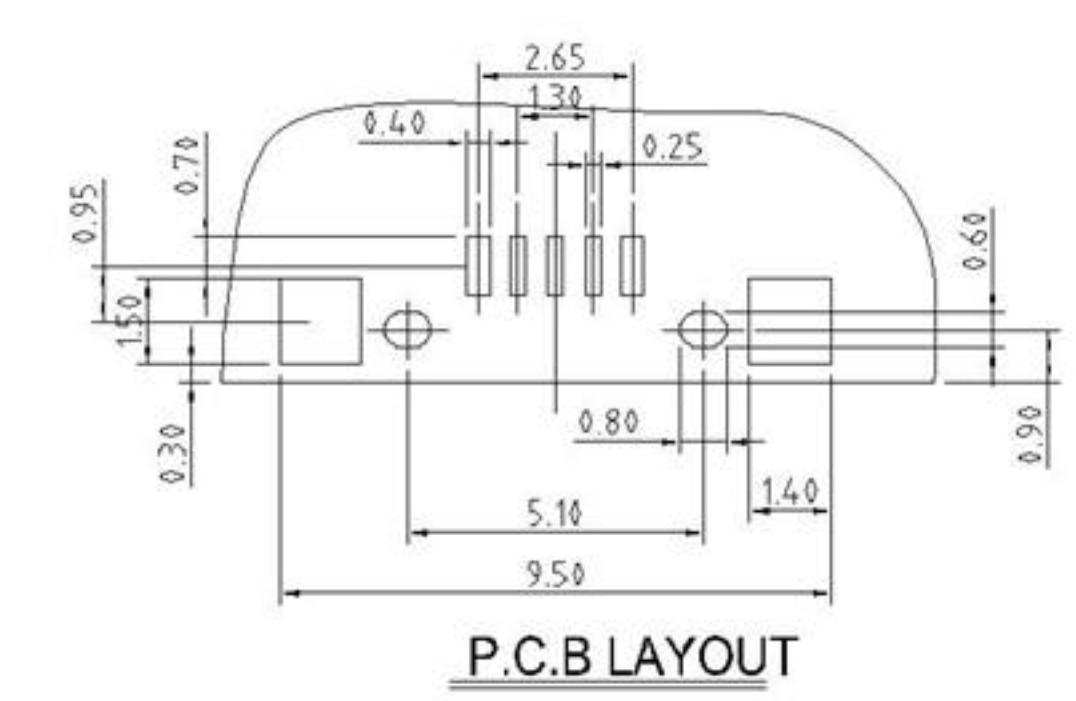
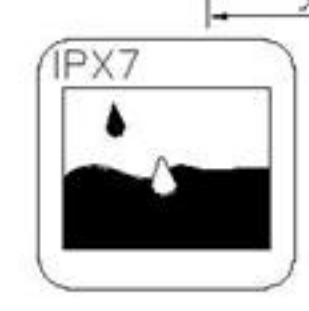
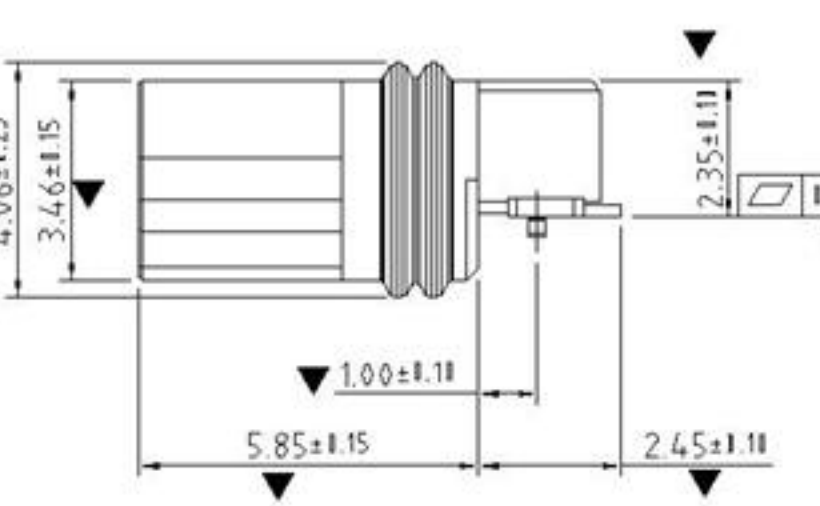
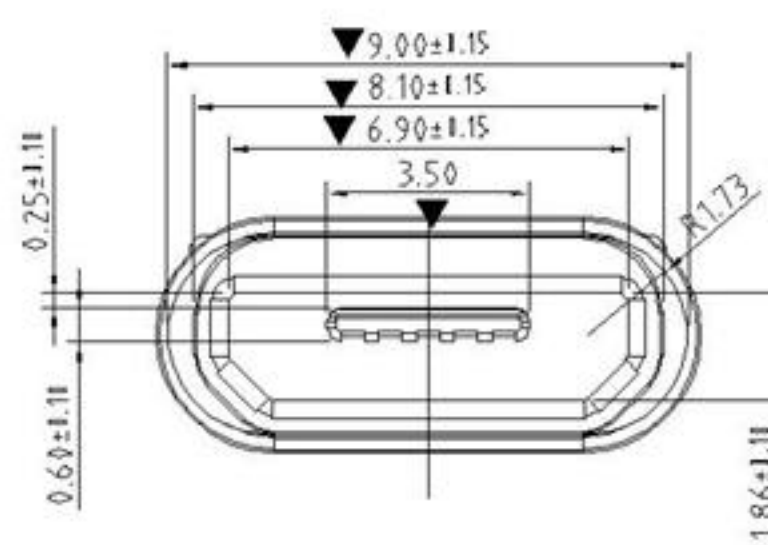


Notes:

1. Dimension shall be interpreted per ASME Y14.5M1994.
2. Dimension marked ▽ & ▼ should be checked by Q.C. and process, engineers and ▽ should also check the CPK data.

Specification:

1. Current Rating: 1.0 AMP
2. Voltage Rating: 30V AC,DC
3. Dielectric Strength: 500V AC RMS for 1 minute.
4. Contact Resistance: 30 mΩ Max.
5. Insulator Resistance: 500M Ω Min. AT 250V DC.
6. Mating/Unmating cycles: 2000 cycles
7. Temperature: -20°C to +60°C



ITEM	PART NAME	QTY	MATERIAL	FINISHING
③	Shell	1	C2680R-H	Au/Ni Plating T=0.3mm
②	Terminal	5	Phosphor Bronze C5210R-EH	Au/Ni Plating T=0.2mm
①	Housing	1	HI-TEMP.PLASIC UL 94V-0	BLACK

TOLERANCE	APPROVALS	DATE
X.	DRAWN	
X.X	NICKLE-SHEN	2019.05.28
X.XX	CHECKED	
X.XXX	NICKLE-SHEN	2019.05.28
	APPROVED	
ANGULAR ±1°		
UNLESS OTHERWISE SPECIFIED	DWG TYPE	PROJECT CODE
	CUST DWG	PHD

**东莞市颖鑫电子科技有限公司**  
**Dongguan YingXin electronic technology co., LTD**

MODEL TYPE: **MICRO USB CONNECTOR**

UNIT	mm	SIZE	A4	PART No.	MISS-Y-1
SCALE	1:1	SHEET	1 OF 1	DWG No.	REV.
					A0